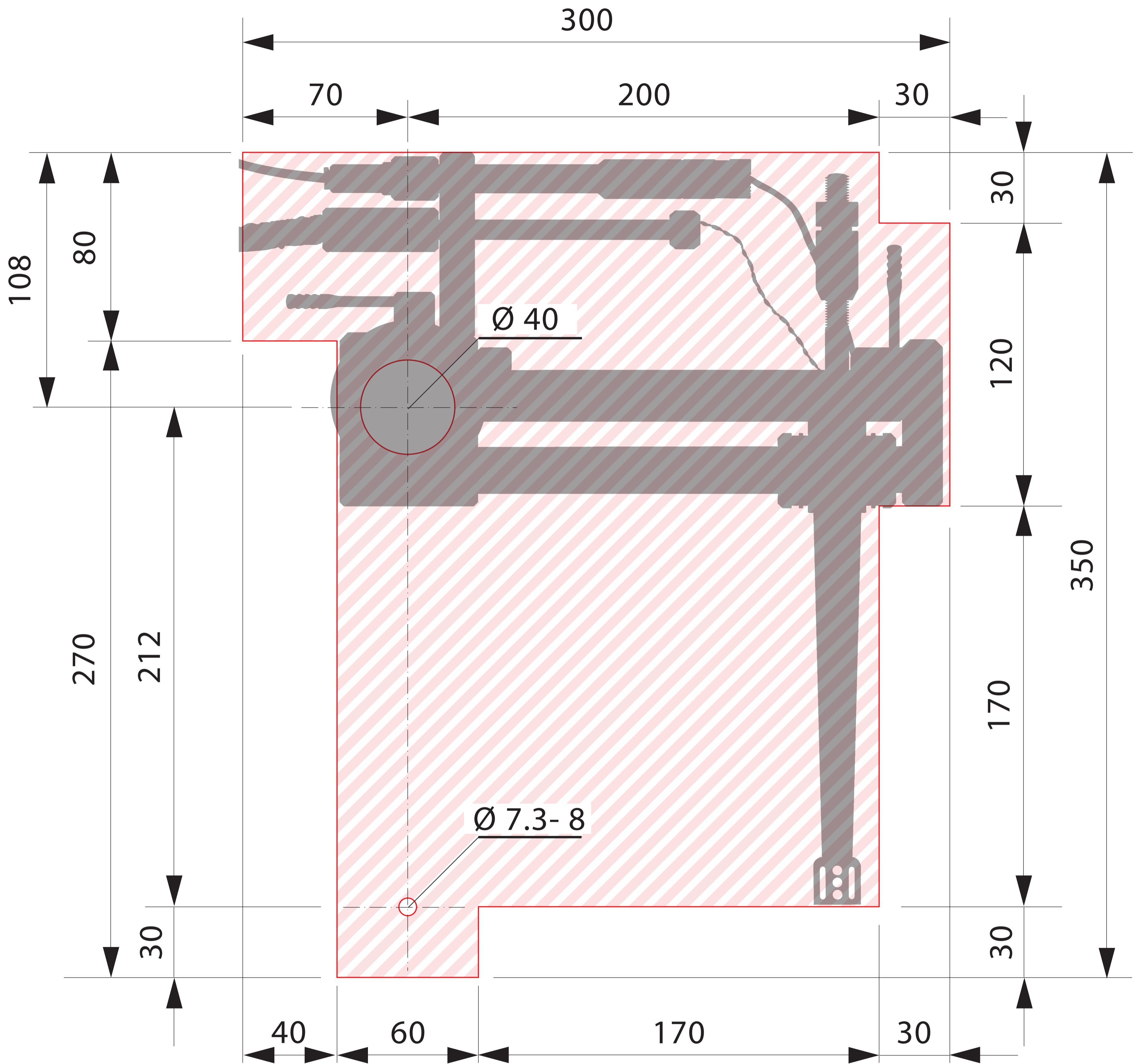


M 1:1
All dimensions in mm





M 1:1
All dimensions in mm